



Most Competitive Micro LED & Mini LED Display Manufacturer



NX QCOB P1.8

Fine Pitch LED DISPLAY



Free & Seamless Splicing



Ultrahigh Refresh Rate



Wide Viewing Angle



Quick Response Time



More Color Depth



Wide Color Gamut



8000:1

Superior Contrast Ratio



High Brightness



Excellent Heat Dissipation



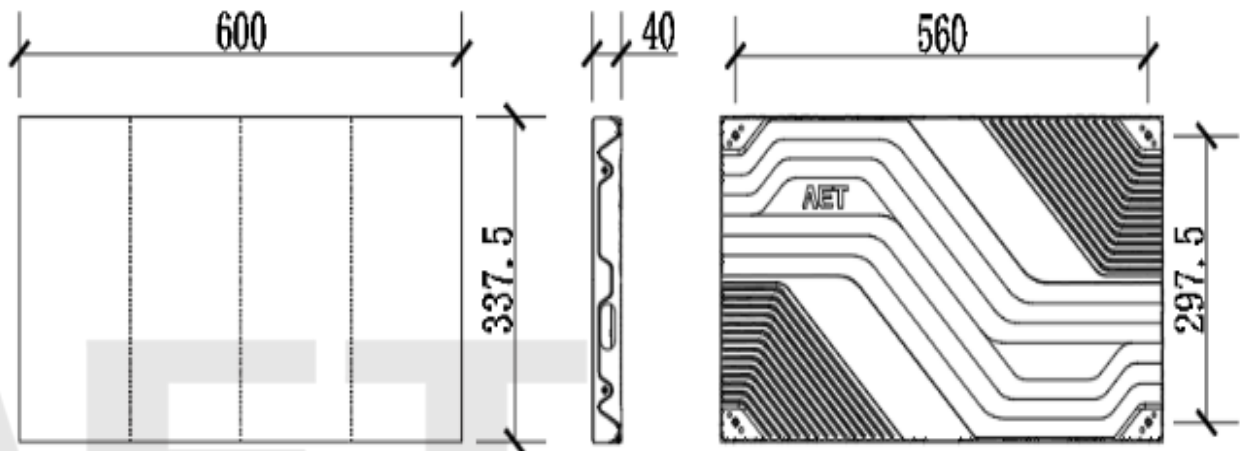
NX is a cost-effective indoor fine pitch LED display with a cabinet aspect ratio of 16:9. NX adopts an adjustable connector to minimize the use of cables for more stable and better performance. The popular cabinet sizes are widely used in the LED display market, it can fulfill various scenarios. NX comes with a high refresh rate, high contrast ratio, and wide viewing angle. This series is full front maintenance with a long LED lifetime. It's definitely the quality product for money.

DIMENSIONS IN MM

NX QCOB

600 x 337.5 x 40mm

6.5kg



NX Series

Physical Parameter	Pixel Pitch	1.875 mm
	LED Type	QCOB LED1212
	Pixel Density (m ²)	284,444 pixels/m ²
	Pixel Density (Cabinet)	57,600 pixels/cabinet
	Resolution of LED Module (W × H)	80 x 180 pixels
	Resolution of Cabinet (W × H)	320 x 180 pixels
	LED Module Size(W × H)	150 x 337.5 mm
	Cabinet Size (W × H × D)	600 x 337.5 x 40 mm 27 in
	No. of Modules Per Cabinet(W × H)	4 x 1
	Cabinet Area	0.2025 m ²
	Aspect Ratio	16:9
	Weight (per cabinet)	6.5 kg
	Cabinet Material	Die-casting Aluminium
Optical Parameter	Brightness - Adjustable	600-800 nits
	Contrast Ratio	10000 : 1
	Horizontal Viewing Angle	160°
	Vertical Viewing Angle	160°
	Scan Rate	60
	Color Temperature - Adjustable	3200-9300 K
Electrical Parameter	Average Power Consumption	≤210 W/m ²
	Max Power Consumption	≤460 W/m ²
	Input Power Voltage	AC220V±15%, 50/60 (Hz)
Processing Parameter	Drive Mode	Constant Current Drive
	Frame Rate	50&60 Hz
	Refresh Rate	1920-3840 Hz
	Gray Scale Processing	14-16 bit
Operation Conditions	Operating Temp/Humidity	-10 - 45 °C/ 10% - 85%RH
	Storage Temp/Humidity	-20 -50 °C/ 10% - 85%RH
	IP Rating	IP65 Module Surface ONLY
	Life span, typ.	100,000 Hrs
Service	Servicing	Front
Certification	Certification	CE, CB

***Product information is subject to change without prior notice.**



9-10th Floor , 1st Building, E Zone, Guangda We Valley,
4th keji Road, Songshan Lake High-tech Industrial Development Zone,
Dongguan City, Guangdong Province ,China

0086-769-38820268 www.aetint.com sales@aetled.com